

# ENTERPRISE BLUENOSE HEATER

## OWNERS MANUAL



Handsomely styled with side panels emblazoned with the famous Schooner Bluenose, our new airtight wood burning stove combines a loving respect for the past with today's wood burning technology.

### INSTALLATION, OPERATING AND MAINTENANCE INSTRUCTIONS:

Read these instructions carefully. Consult your local authorities concerning local fire safety regulations, and to determine the need to obtain a permit. Installation must be made in accordance with the Local, Provincial or State codes in your area which, may differ from this manual. Always comply with the most severe application. Proper installation and use will ensure safe and satisfactory performance. Improper installation or use could result in voiding your warranty.



**ENTERPRISE FAWCETT**

Making Wood Stoves Since 1852

73 Lorne Street  
Sackville, NB  
E4L 4A2

We reserve the right to make improvements and design modifications without notification.

Phone: 506-536-1160  
Fax: 506-536-1820  
Email: [enterpri@nbnet.nb.ca](mailto:enterpri@nbnet.nb.ca)

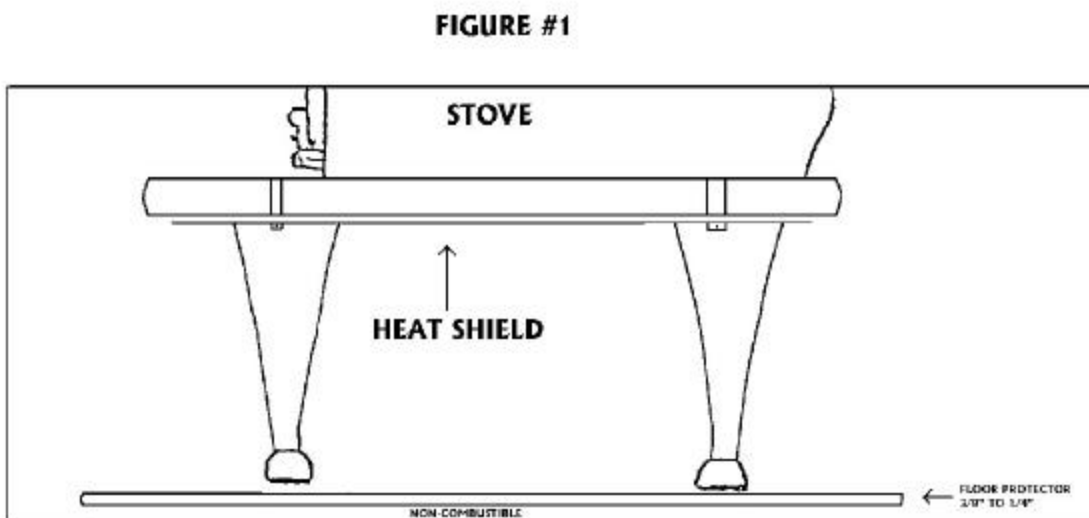
# INSTALLATION AND OPERATING INSTRUCTIONS FOR THE BLUENOSE WOOD BURNING STOVE

## **BLUENOSE WOOD BURNING STOVE PIECES CONTAINED IN THIS PACKAGE:**

1. Stove body complete with door, heat baffle and top lid.
2. Four stove legs (including nuts and bolts)
3. Sheet metal shield, complete with four mounting clips and nuts.
4. Lid lifter.

## **DIRECTIONS FOR INSTALLING PARTS NOT FACTORY INSTALLED:**

- A. Attach the four legs to the underside of the stove base securing them with the four nuts and bolts provided in the pre-drilled holes.
- B. Attach the metal heat shield to base of stove by placing on the bottom of the stove and securing by attaching to the four leg bolts. Using the four metal clips and four nuts which are supplied. See Figure #1.
- C. Ensure that the heat baffle is properly located in the interior of the stove, resting on the ledges provided, curved end to the back of the stove and lock into position in the way of the “V” notched at the sides.



## **FLOOR PROTECTION:**

When installing this heater on a combustible floor, a floor protector, consisting of layer of non-combustible material at least 3/8" thick covered with sheet metal is required to cover the area under the heater, and extending to at least 18 inches at the front and 8 inches to the sides and rear.

Wall Clearances: See Figure #2 which indicates placement of stove and smoke pipe in relation to the walls and ceiling.

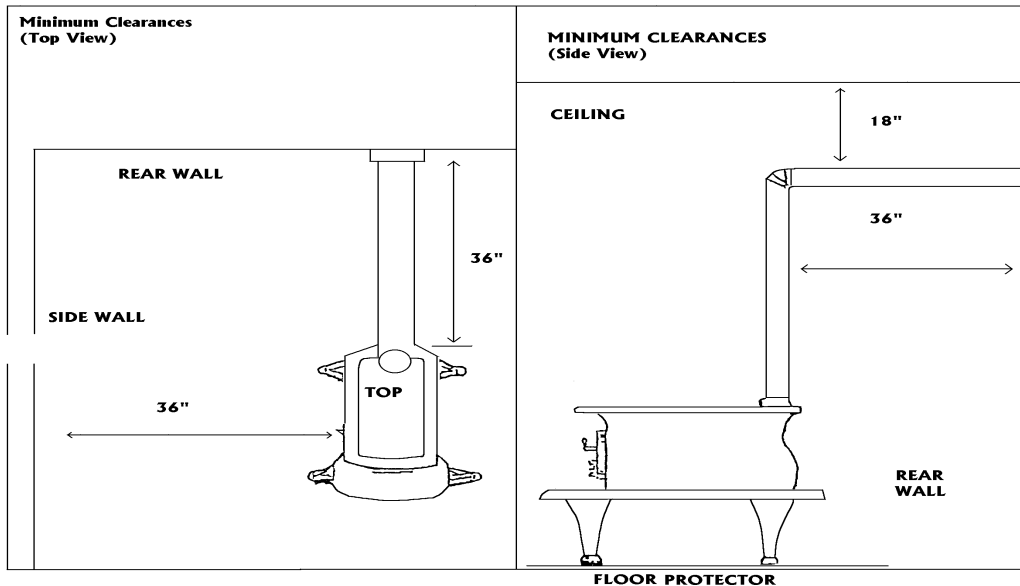


FIGURE #2

Consult your Municipal Building Codes, Fire Department before installation to determine the need for a permit.

The stove must be connected to a 650°C Underwriters' Laboratories of Canada Labeled factory build chimney, installed in accordance with the manufacturer's instructions or a Tile Lined Masonry Chimney, constructed in accordance with National Building Code. An existing masonry chimney should be inspected, and if necessary repaired by a competent mason. The chimney servicing the stove should not serve any other appliances. If you intend to use the fireplace chimney, the fireplace opening must be sealed. The overall height of the chimney; measured from the floor on which the stove is installed, must be at least 15 feet. DO NOT USE MORE THAN TWO ELBOWS.

Single wall stove pipe, used to connect the stove to the chimney must be installed with the crimped end toward the stove. This will ensure that condensing moisture from the burning wood will flow back into the fire chamber. Each joint in the stove pipe must be secured with at least 3 sheet metal screws. Horizontal pipe should have the seam up.

**NOTE: SINGLE WALL STOVE PIPE MUST NOT PENETRATE COMBUSTIBLE WALLS OR CEILINGS.**

- Use at least a 6" stove pipe and locate flue damper 18 to 20 inches from smoke pipe connectors.
- The longer the horizontal pipe length and/or the larger the number of elbows, the greater the chance of dangerous creosote and ash build-up. In the past, installers strove for long runs to ensure maximum heat dispersal. This, however, should now be unnecessary and is a hazardous situation.
- Heavy gauge stove pipe, at least 24 gauge, should be used. Lighter gauge stove pipe is more susceptible to rusting and corrosion from smoke condensation.

- The top of the chimney should be at least three feet higher than the roof at the point of exit. With pitched roofs, the top of the chimney must be at least two feet higher than any point of the roof within ten feet of the chimney. Check with your local building inspector for local building code compliances.
- Use only wood fuel in this stove. Do not burn coal, charcoal, synthetic logs, saltwater driftwood or other fuels.
- When burning wood, the stove hearth should be covered with 1 to 2 inches of wood, ashes or salt free sand.
- Do not install in a mobile home.
- Do not connect to any air distribution duct system.
- While in operation keep children, clothing and furniture away. Contact may cause skin burns.
- Do not store fuel within space heater's clearance space.
- Keep fire door closed and maintain all seals in good condition.
- Do not operate the stove to such an extent as to allow any portion to become "red hot".
- Your Bluenose heater is made of cast iron and could be damaged if given a hard blow with a heavy solid object.

**WARNING: Our handcrafted heaters require seasoning during initial use. Build only small fires to avoid cracking of cast iron parts for the first several fires. One inch of salt free sand MUST be spread evenly over the base of the firebox.**

#### **DISPOSAL OF ASHES :**

Ashes should be removed and placed in a metal container with a tight fitting lid. The closed container of ashes should be removed outdoors immediately. Other waste will not be placed in this container.

#### **USE OF LIQUID FUELS :**

Never use gasoline, gasoline-type lantern fuel, kerosene, charcoal lighter fluid or similar liquids to start or "freshen up" a fire in this heater. Keep all such liquids well away from the heater while it is in use.

#### **CREOSOTE FORMATION AND NEED FOR REMOVAL:**

When wood is burning slowly, it produces tar and other organic vapors, which combine with expelled moisture to form creosote. The creosote vapors condense in the relatively cool chimney flue of a slow burning fire. As a result, creosote residue accumulates in the flue lining. When ignited, this creosote makes an extremely hot fire.

The chimney connector and chimney should be inspected at least twice monthly during the heating season to determine if a creosote build-up has occurred.

If creosote has accumulated, it should be removed to reduce the risk of a chimney fire.